

FLYTECH

POS335N2

The sleek and elegant design of POS335N2 makes it a perfect fit to the retail and hospitality industry. The fanless design guarantees outstanding performance and enhances customer experience. Seamless integration of numerous peripheral modules such as MSR, iButton, Fingerprint, Second Display and Customer Display.



Modular Design



Fanless



MSR



iButton



Fingerprint



2nd Display



Customer Display



APPLICATION BENEFITS

Sleek, Stylish and Compact

Energy Efficient

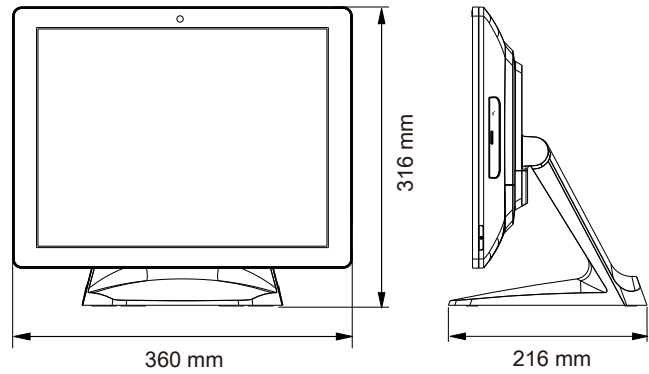
Wall Mountable

Superior Serviceability and Upgradability

FEATURES

- 15" True-Flat PCAP Touch
- Fanless and Silent
- Modular Design for Easy Serviceability
- MSR/ iButton/ Fingerprint Available
- 2nd Display and Customer Display Available

DIMENSIONS



SPECIFICATIONS

	Motherboard	F35	F85U
System	Processor	Intel® Elkhart Lake Celeron J6412	Intel® Tiger Lake i3-1115G4E
	Memory	4GB DDR4	4GB DDR4
	Storage	128GB SSD (M.2)	128GB SSD (M.2)
Display	Size and Resolution Touch Screen	15" 1024 x 768 True-Flat PCAP multi-touch	15" 1024 x 768 True-Flat PCAP multi-touch
Expansion	M.2 (E Key)	1	1
I/O ports	USB Type-A	2 x USB3.0, 4 x USB2.0	4 x USB3.0, 2 x USB2.0
	USB Type-C	1 x USB3.0 full-functioned (Display Port/Power Delivery 5V/3A, 12V/3A)	1 x USB3.0 full-functioned (Display Port/Power Delivery 5V/3A, 12V/3A)
	Serial Port	3x RJ48 (standard RS232) (default 0V; 5V, 12V)	3x RJ48 (standard RS232) (default 0V; 5V, 12V)
	LAN	1 x RJ45	1 x RJ45
	Cash Drawer	1 x RJ11	1 x RJ11
	FeDP	1 x Flytech proprietary miniDP (for 2nd display)	1 x Flytech proprietary miniDP (for 2nd display)
	DC Jack	1 x 4PIN (with latch)	1 x 4PIN (with latch)
Optional I/O	Serial Port	1 x DB9	1 x DB9
Audio	Internal Speaker	1 x 3W	1 x 3W
Indicator	LED Indicator	1 x Power Button	1 x Power Button
Power	Power Adapter	65W / 19V	120W / 19V
Communication	WLAN + BT	802.11 series + BT5.2 (Option)	802.11 series + BT5.2 (Option)
Peripheral (option)	MSR	3-Track MSR (USB)	3-Track MSR (USB)
	Fingerprint	Fingerprint reader (USB)	Fingerprint reader (USB)
	iButton	iButton (USB)	iButton (USB)
	Customer Display	LCM display 2 x 20 characters (USB)	LCM display 2 x 20 characters (USB)
	2nd Display	11.6" 2nd display w/ touch	11.6" 2nd display w/ touch
Certificate	EMC & Safety	FCC Class A, CE Mark, LVD	FCC Class A, CE Mark, LVD
Environment	Operating Temperature	0°C ~ 35°C (32°F ~ 95°F)	0°C ~ 35°C (32°F ~ 95°F)
	Storage Temperature	-20°C ~ 60°C (-4°F ~ 140°F)	-20°C ~ 60°C (-4°F ~ 140°F)
	Humidity	20% ~ 85% RH non-condensing	20% ~ 85% RH non-condensing
Dimensions	W x H x D	360 x 316 x 216 mm (14.2" x 12.4" x 8.3")	360 x 316 x 216 mm (14.2" x 12.4" x 8.3")
Weight	Weight	5.4kg (11.9 lbs)	5.4kg (11.9 lbs)
Mounting	VESA Mount	100 x 100 mm	100 x 100 mm
OS Supported		Windows 10 IoT Enterprise Linux	Windows 10 IoT Enterprise Linux

※ PRODUCT SPECIFICATIONS AND DATA ARE SUBJECT TO CHANGE WITHOUT NOTICE ※

Taiwan - Headquarters

No.168, Sing-ai Rd., Neihu District,
Taipei City 11494, Taiwan, R.O.C.
886-2-8791-4988
886-2-8791-4966
sales@flytech.com.tw
www.flytech.com

U.S.A. - California

271 East Brokaw Road, San Jose,
CA 95112, U.S.A.
1-510-257-5180
1-510-257-5181
sales@flytech.com

China - Shanghai

3F Building 39, No. 333 Qin Jiang Rd.,
Shanghai 200233, P.R.China
86-21-5426-1555
86-21-5426-1001
sales@flytech.com.cn
www.flytech.com.cn

China - Hong Kong SAR

Rm01, 6/F, Blk A, Tonic Industrial Centre,
26 Kai Cheung Road, Kowloon Bay,
Kowloon, Hong Kong.
852-3525-5800
852-2751-7447
sales@flytech.com.hk

